



Taege Engineering Limited
 Main West Road
 Sheffield 8173
 Canterbury
 NEW ZEALAND
 Ph. 064 3 318 3824
 Fax 064 3 318 3646
 Email: sales@taege.com
www.taege.com

DRILLS WIRING INFORMATION

RC300 CONTROLLER

Version 2.50a - 2.52d with IO3V1_0 Board
 Sensor or encoder wheel or jockey wheel,
 Pulse and/or encoder motor/s
 Micro switch or sensor switch
 Single, Double & Optional Third Hopper,
 RDS TGSS true ground speed radar

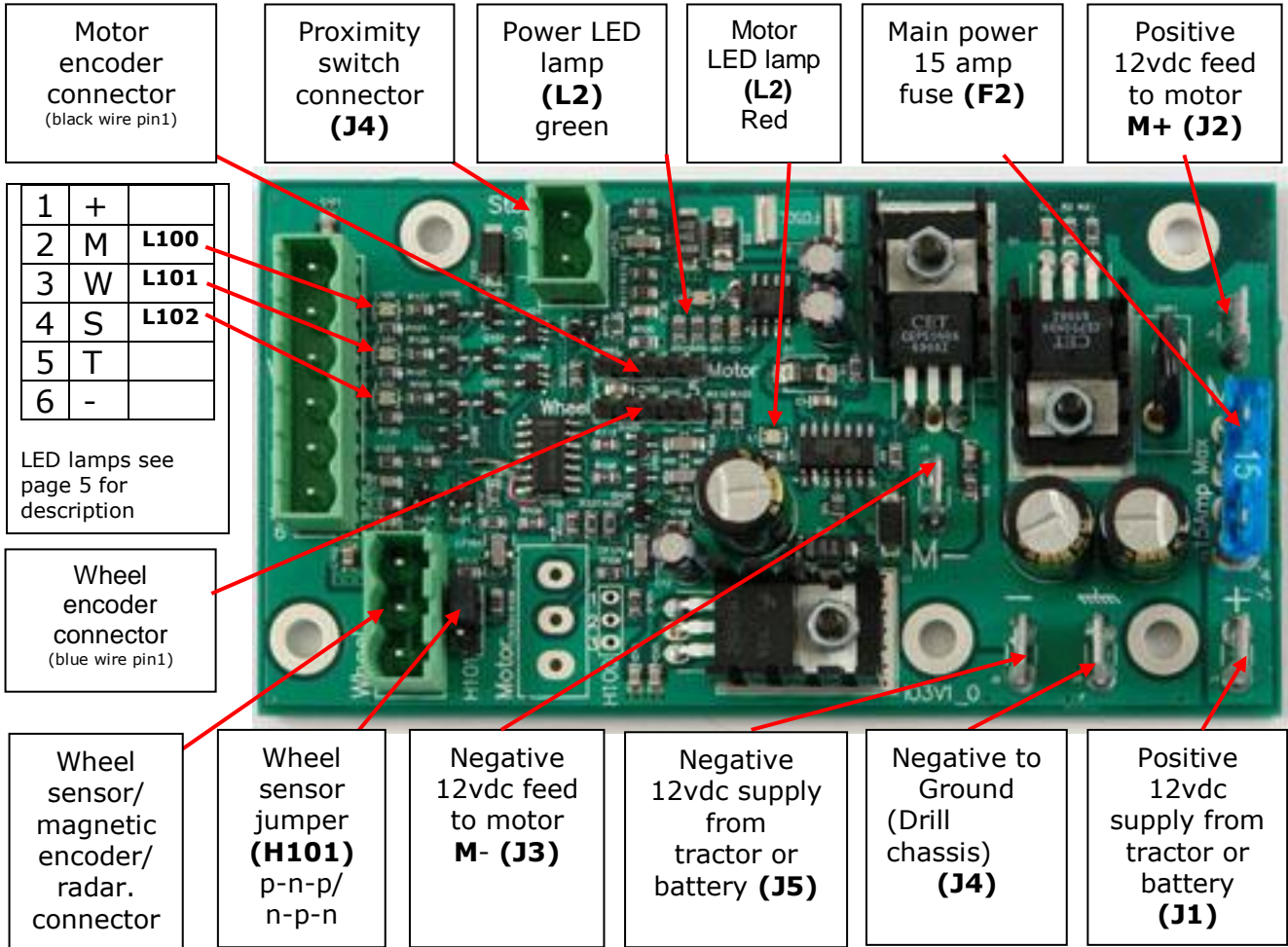
Types of 7-core cable

Primary Loom	Type 1	Type 2	Type 3
-12vdc	Black	Black	Black
Motor Drive 1	Yellow	Yellow	Yellow
Motor Drive 2	Brown	Brown	Green
Wheel Pulse	Green	Orange	Orange
Motor encoder 1	Blue	Blue	Blue
Motor encoder 2	White	White	White
+12vdc	Red	Red	Red
Secondary Loom	Type 1	Type 2	Type 3
Motor 3	Brown	Brown	Green
Motor encoder 3	White	White	White
Ground Speed Input	Green	Orange	Orange

Taege IO Board Connections for 1/2/3/ Hoppers

Signal	Front Hopper	Rear Hopper	Third Hopper
Ground	Black	Black	Black
Motor Drive	Yellow	Brown or Green	Brown or Green
	N.C.	N.C.	N.C.
Wheel Pulse	Green or Orange	Not used	Not used
Motor Encoder	Blue	White	White
+12v	Red	Not used	Not used


I03V1_0 board wiring



H101 make sure the jumper is in the correct position.
 Inward 2x pins for P-N-P
 Outside 2x pins for N-P-N

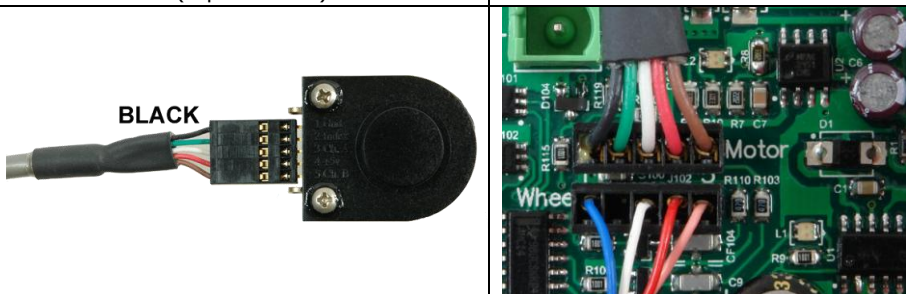
Micro Switch DD5003.000			
2-pin green plug	Red		
	Black		
The 2-pin plug plugs into the 2-pin position on the I/O board			
Sensor Switch DD5001.001 (n-p-n)			
+12vdc	Brown		
signal	Black	2-pin green plug	
-12vdc	Blue		
The sensor's brown wire is connected to the +12vdc supply from the red wire on the 6-pin plug. The blue wire connects to the outside position of the 2-pin Plug and the black wire to the inside position of the 2-pin green plug, which is mounted to the I/O board.			

Motor and/or Wheel Sensor Wiring and Colours	
Signal	Colour
+12vdc	Brown
Pulse	Black
Ground	Blue



		Colour code for Sensor Wiring			
Signal					
+12 vdc	Brown	Red	Red	Red	Red
Signal	Black	Yellow	White	White	Brown
Ground	Blue	Black	Black	Blue	Black

Motor Encoder	
Signal	Encoder (top of motor)
Ground	Black
Index	Green
Channel A	White
+5v	Red
Channel B	Brown



When attaching the plug of the cable care must be taken to ensure correct orientation of the black wire as shown in the above photos.

The plug can only be removed by pulling the plug away from the encoder.

Do not under any circumstance try to remove by pulling the wires.

Failure to orientate the plug correctly or pulling the wires will void the warranty.

Wheel Encoder

Signal	Colour	Optical Encoder (inside axle)
Ground	Blue	
Spare		
Channel A	White	
+5v	Red	
Channel B	Pink	



When attaching the cable plug of care must be taken to ensure correct orientation of the blue wire as shown in the above photos.

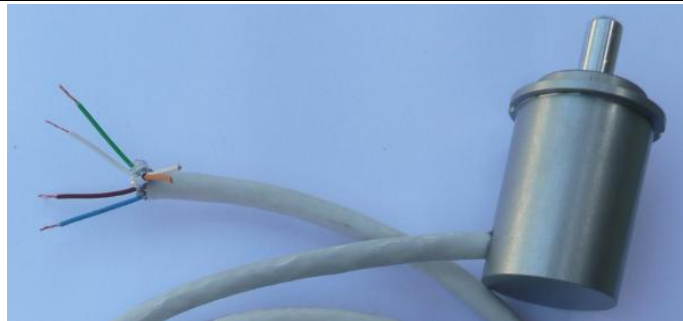
The plugs can only be removed by pulling the plug away from the IO board.

Do not under any circumstance try to remove by pulling the wires.

Failure to orientate the plug correctly or pulling the wires will void the warranty.

Wheel Encoder ME1030.000

Signal	Colour	Magnetic Encoder (inside axle)
+12vdc	Brown	
Clockwise signal out	Green	
Anti-clockwise signal out	White	
-12vdc	Blue	




When attaching the green cable plug of care must be taken to ensure correct orientation of the brown wire.

A three pin green plug is to be used, and wired in the same way as the sensor plug. No voltage regulator is used.

Failure to orientate the plug correctly or will void the warranty.

RDS RADAR TGSS true ground speed sensor

Signal	Colour	
+12vdc	Brown	
Signal	Yellow/Green	
-12vdc	Blue	



The tractor's own radar may be used with a special Controller wiring loom. Switching is by sensor switch only. See your local service agent or TAEGE representative for further information.

Wiring Instructions for Drills

Connect a 3.5mm dual core cable from the 12vdc tractor auxillary plug (30amp) to the front motor IO-board, and then connect to the back and third motor IO-boards. This is the main 12vdc supply for all hopper motors.

A 7 core flex runs black, yellow, green, blue, red the from the female controller plug (see wiring above) to the front motor IO-board plug and the brown and white wires to the back motor IO-board. Colours for the third hopper motor are brown & white. (see page 1 for alternate wiring colours.)

Connections are made as follows:

Positions for the coloured wires can be seen in the picture on page 1 and the description in page 2.

BLACK from the cable goes to the front IO-board.

YELLOW from the cable goes to front IO-board. (this the signal to the front motor drive)

Empty slot

GREEN or **ORANGE** from the cable goes to the front IO-board. (this is the signal from the wheel encoder)

BLUE from the cable goes to the front IO-board. (this the signal from the front motor encoder)

RED from the cable goes to the front IO-board.

BROWN or **GREEN** from the cable goes to the back IO-board (this is the signal to the second motor drive)

(**WHITE**) from the cable goes to the back IO-board (this the signal from the second motor encoder)

Third motor IO-board (insect) uses the secondary cable. Use the same wiring colours as for the second hopper.

With the controller plugged in and the power connected turn on the controller. The following should occur.

Taege IO3V1 0 boards have five LED lamps

L100 LED glows green when the motor is turned.

L101 glows green when the wheel is turned.

L102 glows red when the wheel switch is closed.

L1 glows red when the motor is operating, the brighter the red the faster motor speed.

L2 glows green when the voltage is ok and orange when the voltage is too low.

From Computer (Male)

To Drill (Female)

